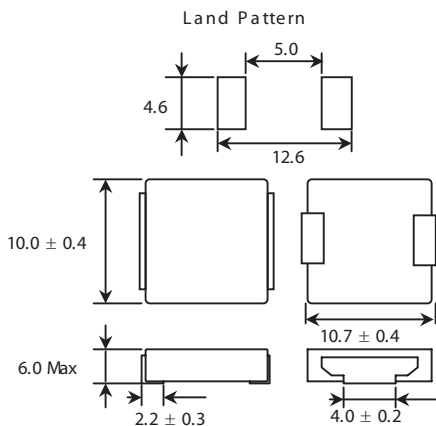


**Mechanical Specification**



Dimensions: mm

**Special Features**

- Shield construction
- Frequency range up to 5MHz
- Lowest DCR/uH
- Low buzz noise

**Applications**

- PDA/Notebook/Desktop/Server applications
- Low profile, high current power supplies
- Battery powered devices
- DC/DC converters for power system distribution

**Notes**

- Inductance : 100kHz, 100mV
- Tolerance of inductance : ±20%
- Saturation rated current : 20% lower than its initial value
- Temperature rise current : ΔT= 40%
- Operating temperature : -55°C~120°C
- All test data is referenced to 25°C ambient

**Electrical Specification**

**VV-5500 SERIES**

Part Number	Inductance (μH)	DCR (Typical, mΩ)	DCR (Max, mΩ)	Saturation Rated Current (Typical, A)	Temperature Rise Current (Typical, A)
VV-5500-R47	0.47	2.5	3.2	38.0	21.0
VV-5500-R82	0.82	3.5	4.0	32.0	19.0
VV-5500-1R5	1.50	4.5	5.0	28.0	17.0
VV-5500-2R2	2.20	7.5	9.0	26.0	14.0
VV-5500-3R3	3.30	10.0	12.0	19.0	11.0
VV-5500-4R7	4.70	13.0	14.0	15.0	9.5
VV-5500-6R8	6.80	15.0	17.0	12.5	8.5
VV-5500-8R6	8.60	17.3	19.0	11.0	8.0
VV-5500-110	11.0	22.3	24.0	9.0	7.5